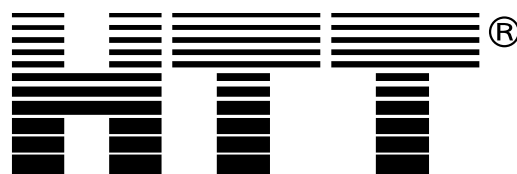


energy  
sheet

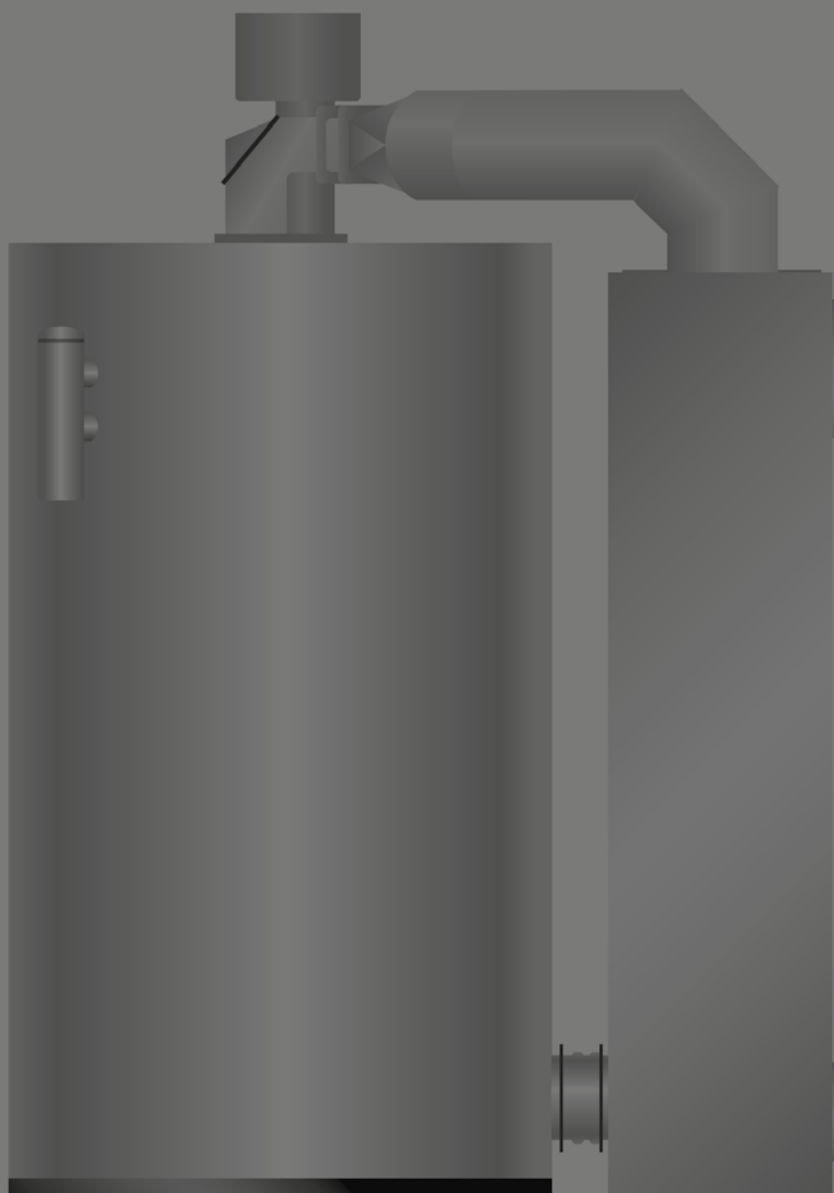


***We make more from energy!***

Technical data

## Fired heaters

wtö 3000 – 15000 kW (vertiktal design)



**CHR. MØLLER A/s**

Tåsingevej 4  
DK 5800 Nyborg  
+45 65 99 10 99  
[info@chrmoeller.dk](mailto:info@chrmoeller.dk)  
[www.chrmoeller.dk](http://www.chrmoeller.dk)

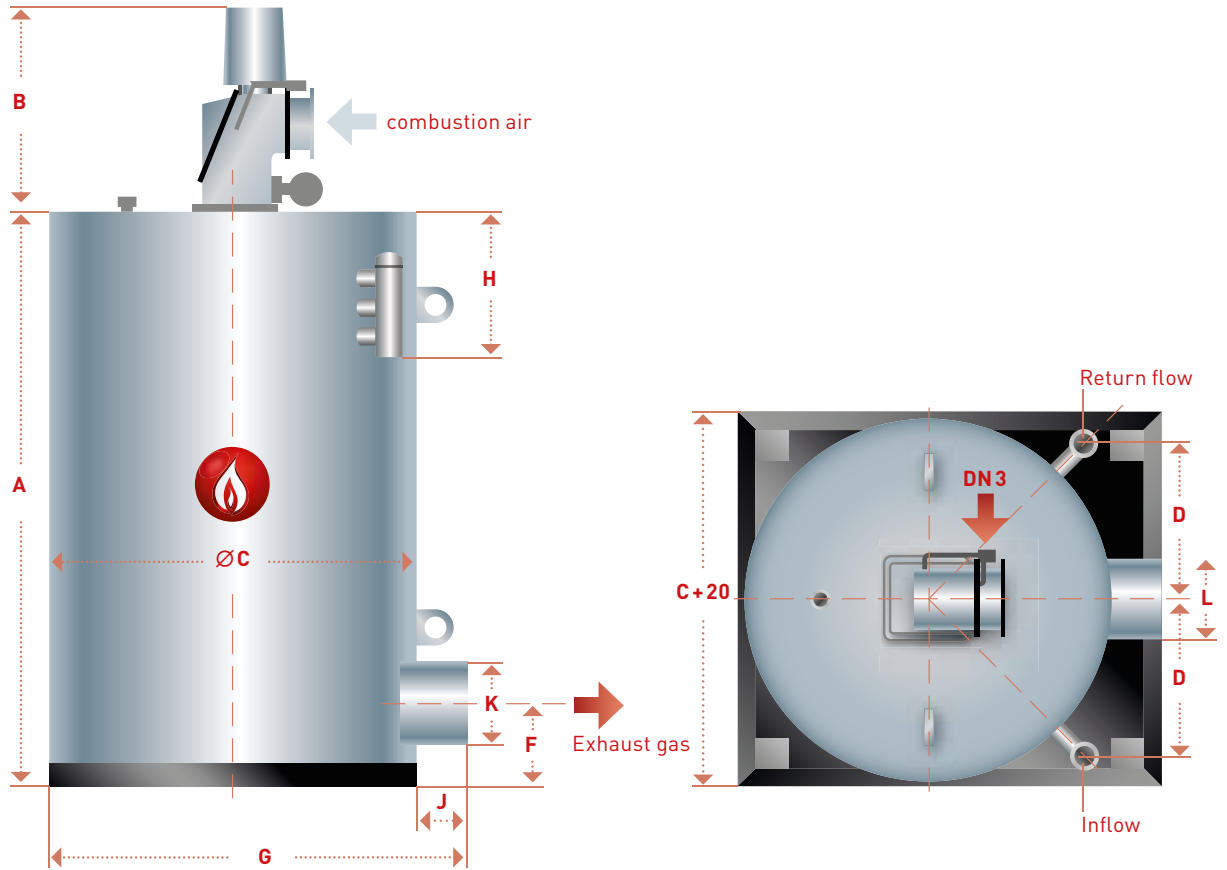
# Dimension sheet fired heaters

## wtö 3000 – 15000 kw vertical design



**We make more from energy!**

### Thermal oil heaters



Type	DN 1	DN 2	Weight empty [to]	Content [ltr]	A	C	D	F	G	H	J	K	L
wtö 3000A	200	200	7.1	3200	4420	2350	980	480	2450	580	100	350	700
wtö 3750A	200	200	8.2	3700	4600	2500	1030	500	2600	580	100	400	800
wtö 4500A	200	200	10.4	5100	5010	2690	1100	530	2790	580	100	450	900
wtö 5750A	200	200	12.4	5600	5730	2870	1160	550	2970	770	100	500	1000
wtö 7000A	200	200	14.1	6100	6380	3000	1210	580	3100	860	100	550	1100
wtö 8500A	200	200	18.1	8100	7030	3150	1260	600	3250	910	100	600	1200
wtö 10000A	250	250	22.0	10800	7550	3370	1360	630	3470	1040	100	650	1300
wtö 12000A	250	250	25.4	12800	8300	3520	1410	660	3620	1040	100	725	1450
wtö 15000A	250	250	33.4	17100	9250	3910	1550	700	4010	1040	100	800	1600

B = Depending on type of burner (1200 ... 1700mm). Dimensions of 2-pass design refer to separate data sheet.

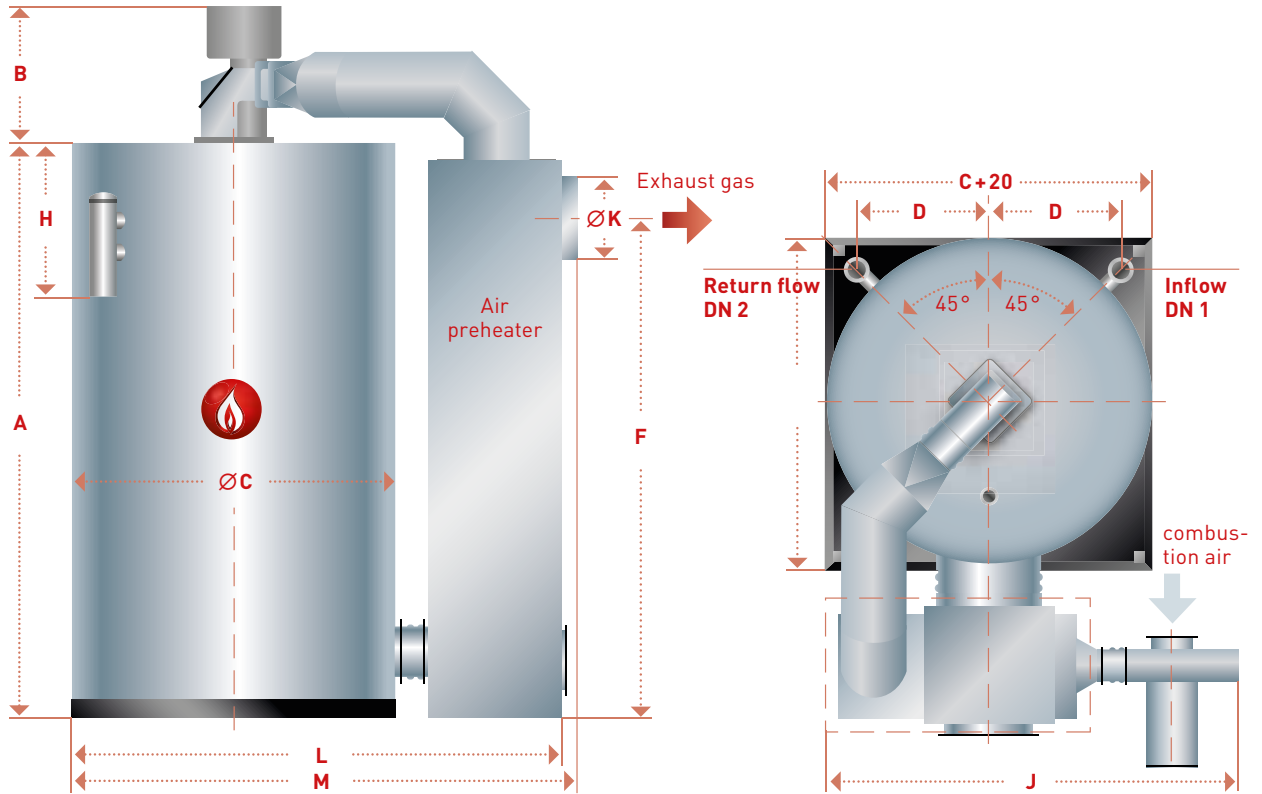
Dimensions in mm / Caution: Dimensions may deviate in case of order.

# Dimension sheet fired heaters wtö 3000 – 15000 kw vertical design



**We make more from energy!**

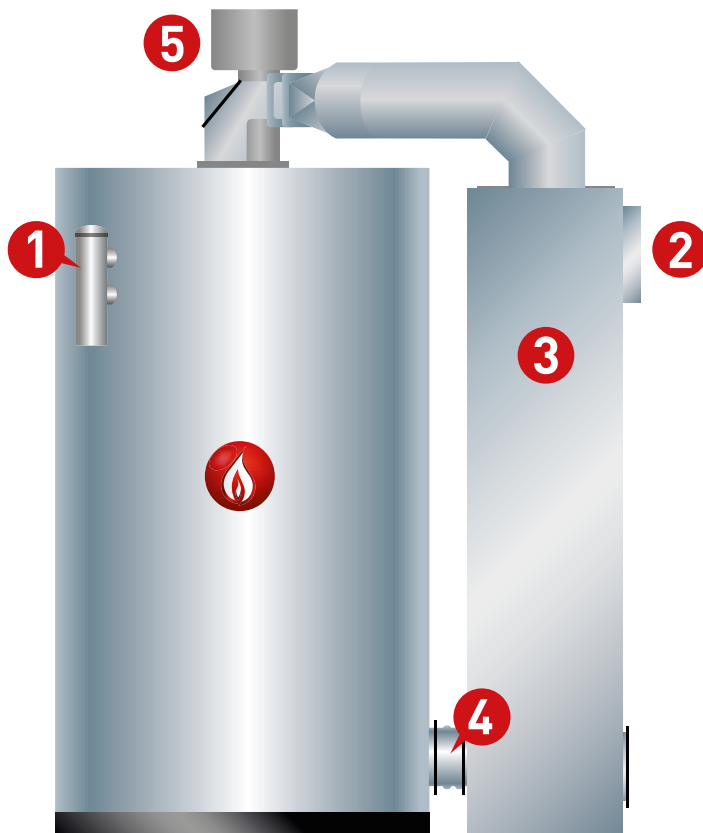
## Thermal oil heaters with air preheater



Type	DN 1	DN 2	Weight empty [to]	Content [ltr]	A	C	D	F	G	H	J	K	L	M
wtö 3000A	200	200	10.5	3200	4420	2350	980	3950	2450	580	3250	630	3650	3750
wtö 3750A	200	200	12.6	3700	4600	2500	1030	4140	2600	580	3400	630	3970	4070
wtö 4500A	200	200	15.5	5100	5010	2690	1100	4500	2790	580	3590	710	4140	4240
wtö 5750A	200	200	19.0	5600	5730	2870	1160	5230	2970	770	4040	710	4570	4670
wtö 7000A	200	200	22.0	6100	6380	3000	1210	5830	3100	860	4170	800	4650	4750
wtö 8500A	200	200	27.0	8100	7030	3150	1260	6480	3250	910	4320	800	5030	5130
wtö 10000A	250	250	35.0	10800	7550	3370	1360	6950	3470	1040	4630	900	5170	5270
wtö 12000A	250	250	39.0	12800	8300	3520	1410	7700	3620	1040	4780	900	5570	5670
wtö 15000A	250	250	49.0	17100	9250	3910	1550	8540	4010	1040	5170	1120	6160	6260

B = Depending on type of burner (1200 ... 1700mm). Dimensions valid for insulation = 100mm. Rough dimensions only for planning. All dimensions and weights are valid only for gas and fuel oil EL (3-pass-design). Weight incl. air preheater and blower.

Dimensions in mm / Caution: Dimensions may deviate in case of order.



- 1 Inflow
- 2 Flue gas outlet air preheater
- 3 Air preheater
- 4 Flue gas connection
- 5 Burner

## Construction

Max. allowable temperature (TS): 300/350/max. 400 °C

Max. allowable pressure (PS): 10/max. 21 bar

### Material

#### Metal plates:

P 265 GH/S 235 JR  
(old: H II/St 37-2)

**Pipes:** P 235 G1 TH/P 235 G2  
(old: St 35.81/St 37.81)

**Flanges:** C22.8

### Installation according to:

- ZTA heating room recommendation
- DIN 4754 (German Standard "Heat transfer plants")
- Building regulations

Maintenance space on all sides appr.  
800 mm

Caution: Dimensions may deviate in case of order.

Dimension sheet fired heaters  
wtö 3000 – 15000 kw vertical design



*We make more from energy!*





**HTT**<sup>®</sup>

*We make more from energy!*





*We make more from energy!*

