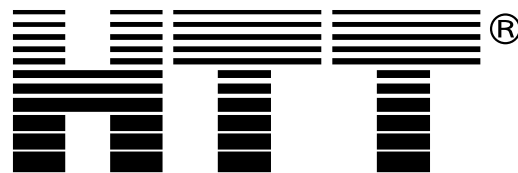


energy  
sheet



***We make more from energy!***

Technical data

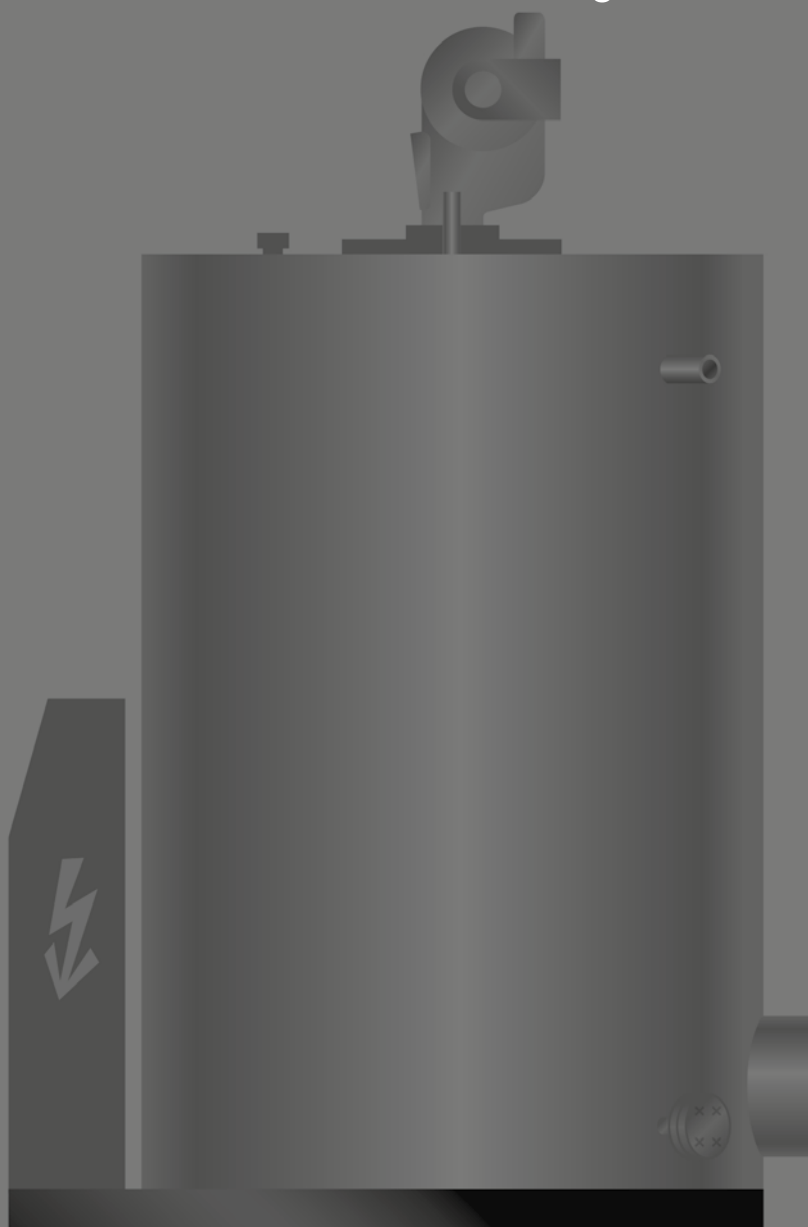
## Fired heaters

wtö 80 – 2250 kW (vertical design)



**CHR. MØLLER A/s**

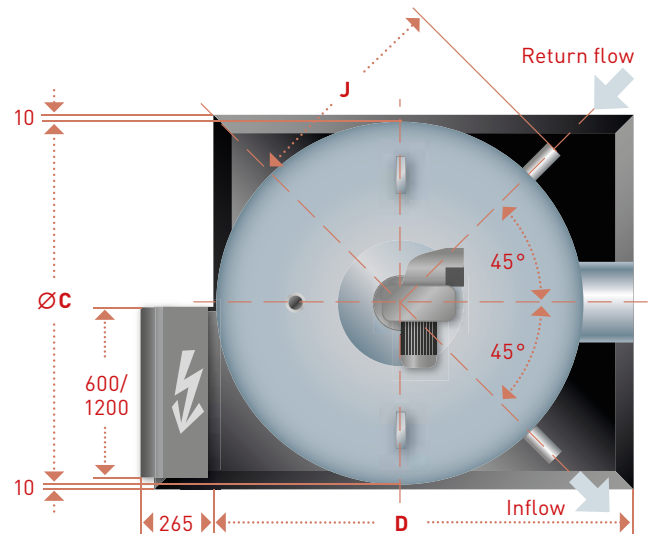
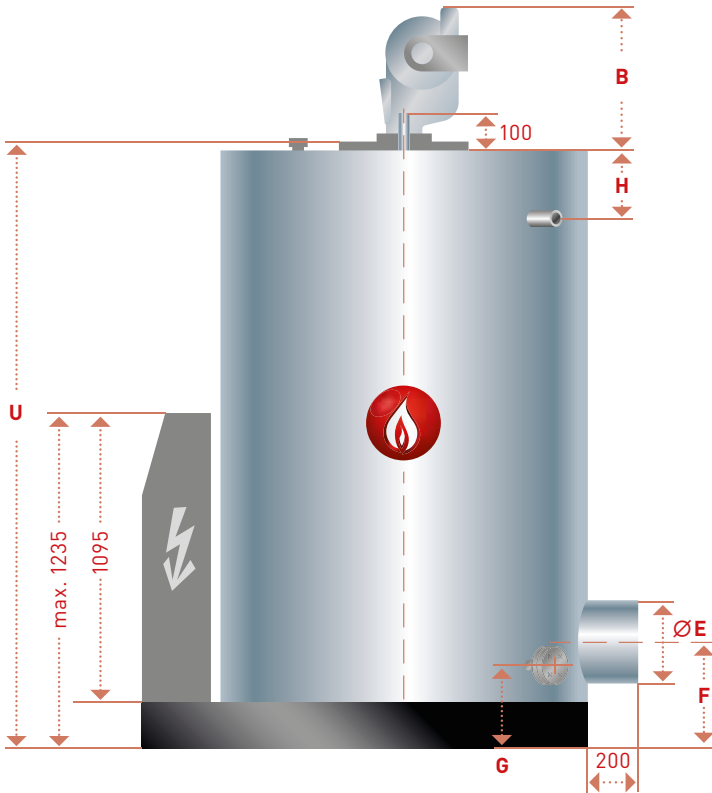
Tåsingevej 4  
DK 5800 Nyborg  
+45 65 99 10 99  
[info@chrmoeller.dk](mailto:info@chrmoeller.dk)  
[www.chrmoeller.dk](http://www.chrmoeller.dk)



# Dimension sheet fired heaters wtö 80 – 500 kW vertical design



**We make more from energy!**



Type	Capacity [kW]	A +20 / -15	B*		ØC	D	ØE	F	G	H	J	Inflow/ Return flow		Content [ltr.]	Weight net [kg]
			EL	Gas								[Ø 14]	[Ø 16]		
wtö 80	80	1105	313	305	820	1030	180	193	215	242	575	33.7	42.4	40	300
wtö 125	125	1205	410	500	890	1100	180	193	215	242	607	33.7	42.4	53	350
wtö 200	200	1550	540	685	1015	1225	180	293	215	215	675	42.4	48.3	116	670
wtö 300	300	1625	540	805	1100	1310	180	293	330	230	715	48.3	63.5	155	720
wtö 400	400	1935	645	805	1100	1310	250	330	340	232	715	57.0	63.5	220	800
wtö 500	500	2045	645	859	1310	1520	250	330	350	235	820	63.5	76.1	335	1100

Dimensions in mm / Caution: Dimensions may deviate in case of order.

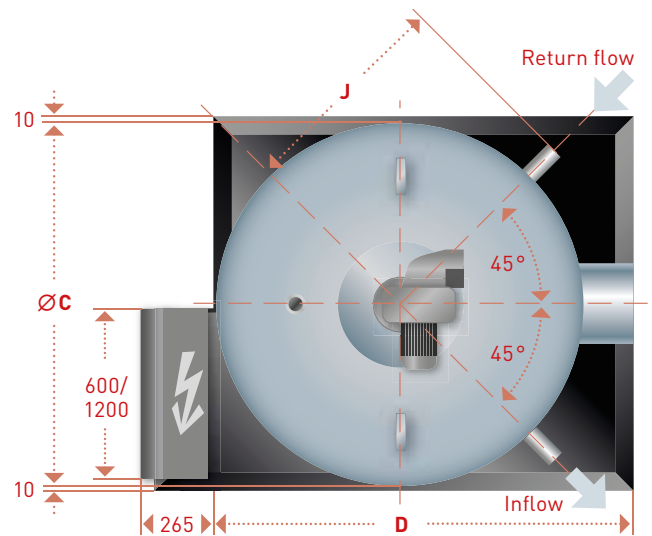
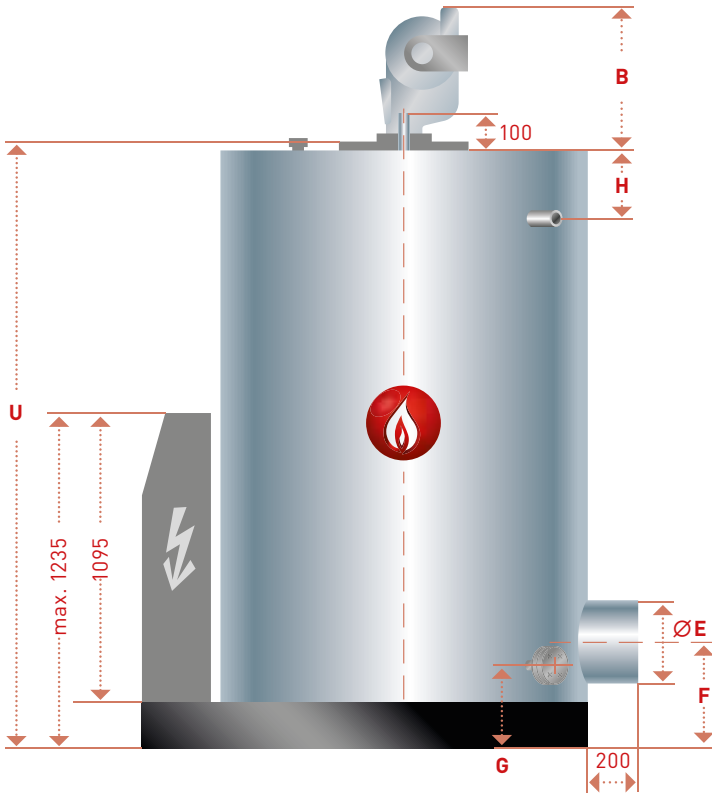
\* Only to apply to burner Weishaupt.

# Dimension sheet fired heaters

## wtö 700 – 2250 kW vertical design



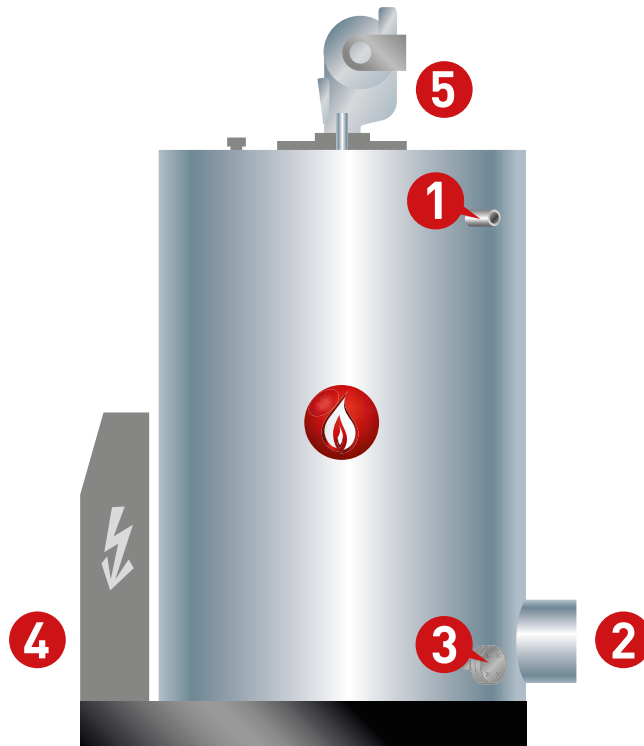
**We make more from energy!**



Type	Capacity [kW]	A +20 / -15		B*		ØC	D	ØE	F	G	H	J	Inflow/ Return flow		Content [ltr.]	Weight net [kg]
		EL	Gas	Ø 14	Ø 16											
wtö 700	700	2415	680	859	1455	1665	300	355	335	630	900	88.9	440	1600		
wtö 1000	1000	2715	764	950	1665	1875	400	425	380	645	1017	114.3	720	2280		
wtö 1250 A	1250	2915	764	950	1685	1895	426	445	400	645	1027	114.3	870	2680		
wtö 1250 B	1250	2915	764	950	1685	1895	426	445	400	680	1030	139.7	930	2740		
wtö 1750 A	1750	3535	766	1150	1890	2090	426	445	400	680	1128	114.3	1360	3750		
wtö 1750 B	1750	3595	766	1150	1890	2090	426	445	400	690	1142	139.7	1400	3750		
wtö 2250 A	2250	3595	945	1150	2160	2370	517	485	400	695	1277	139.7	1760	4800		
wtö 2250 B	2250	3595	945	1150	2169	2370	517	485	400	695	1277	168.3	2050	5250		

Dimensions in mm / Caution: Dimensions may deviate in case of order.

\* Only to apply to burner Weishaupt.



- 1 Inflow
- 2 Flue gas connection
- 3 Emptying connection DN 20
- 4 Control cabinet
- 5 Burner

## Construction

Max. allowable temperature (TS): 300/350/max. 400 °C

Max. allowable pressure (PS): 10/max. 21 bar

### Material

#### Metal plates:

P 265 GH/S 235 JR  
(old: H II/St37-2)

**Pipes:** P 235 G1 TH/P 235 G2  
(old: St 35.8I/St 37.8I)

**Flanges:** C22.8

### Installation according to:

- ZTA heating room recommendation
- DIN 4754 (German Standard "Heat transfer plants")
- Building regulations

Maintenance space on all sides appr.  
800 mm

Caution: Dimensions may deviate in case of order.

Dimension sheet fired heaters  
wtö 80 – 2250 kW vertical design

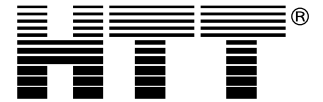


*We make more from energy!*





Dimension sheet fired heaters  
wtö 80 – 2250 kW vertical design



*We make more from energy!*



Dimension sheet fired heaters  
wtö 80 – 2250 kW vertical design



*We make more from energy!*

